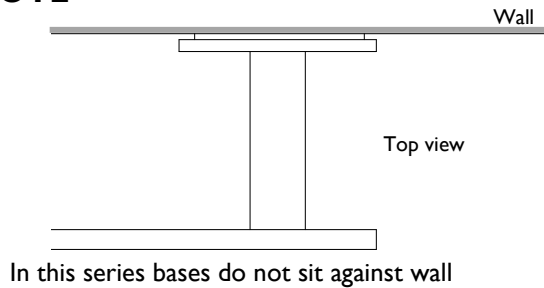


# Dual Post Accessories Installation Instructions

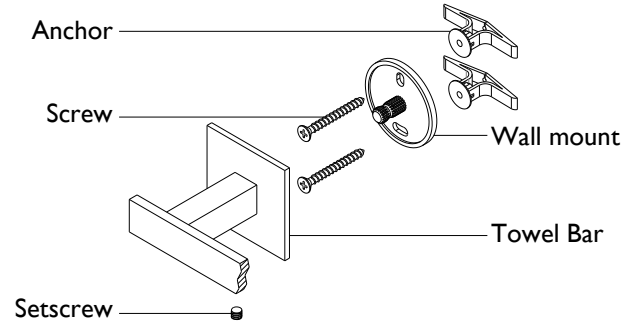
**CALIFORNIA FAUCETS RECOMMENDS THAT ALL PRODUCTS BE INSTALLED BY A LICENSED PROFESSIONAL**

**IMPORTANT: Read all instructions prior to installation and provide copy of instructions to consumer.**

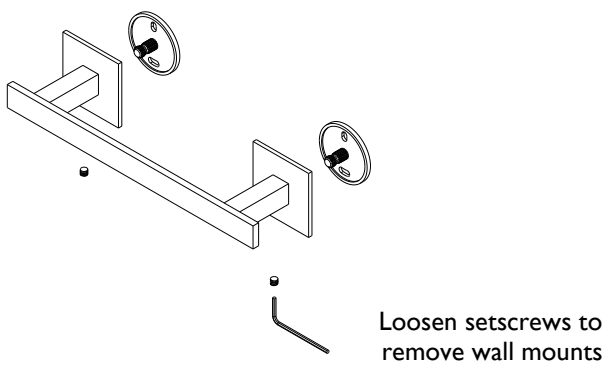
## A NOTE



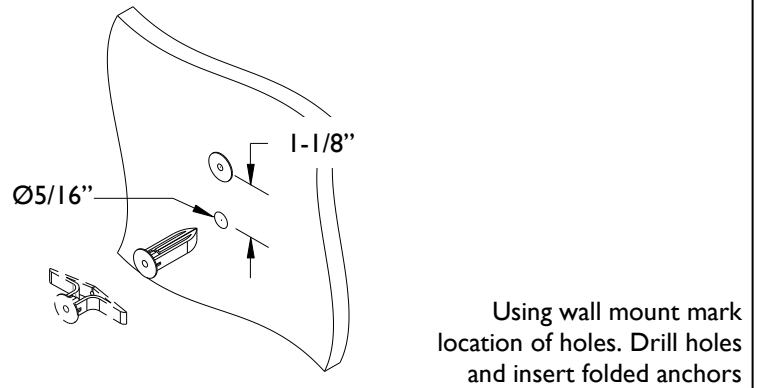
## B PARTS



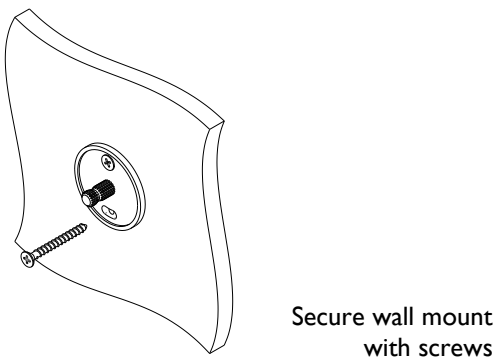
1



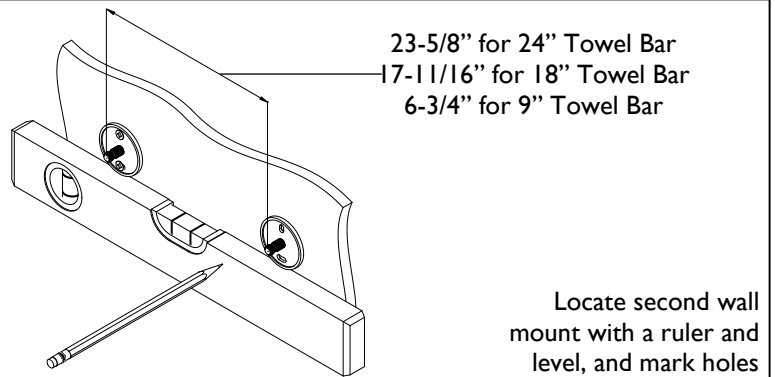
2



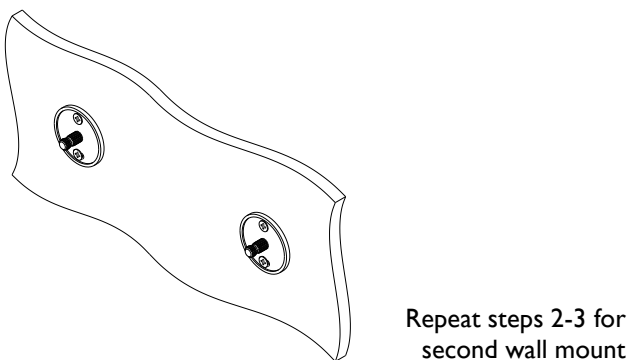
3



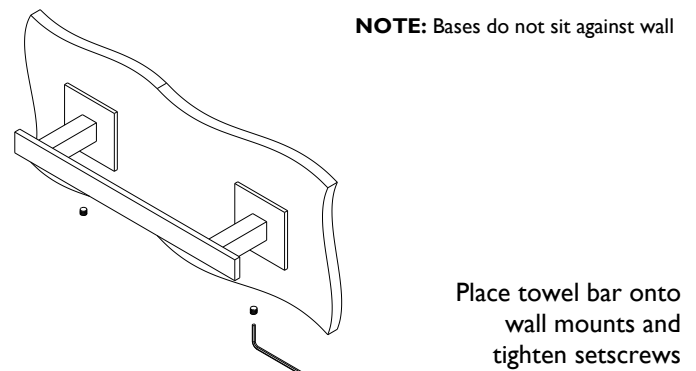
4



5



6

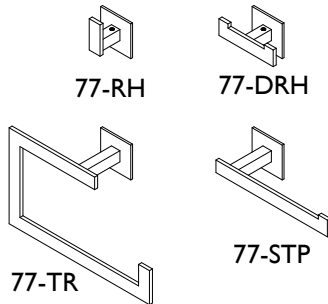


## Single Post Accessories Installation Instructions

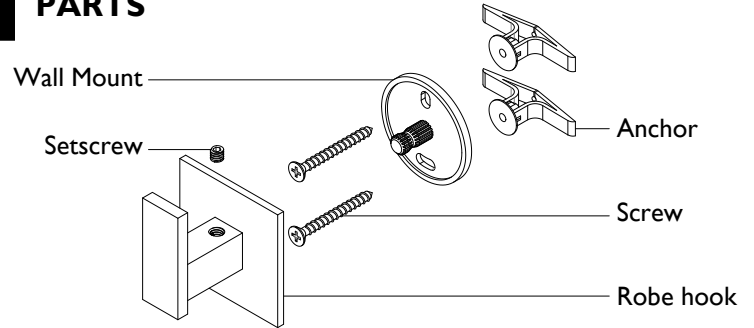
**CALIFORNIA FAUCETS RECOMMENDS THAT ALL PRODUCTS BE INSTALLED BY A LICENSED PROFESSIONAL**

**IMPORTANT: Read all instructions prior to installation and provide copy of instructions to consumer.**

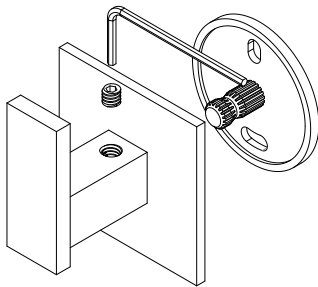
### A SINGLE POST ACCESSORIES



### B PARTS

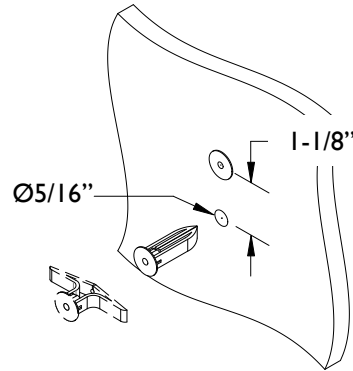


1



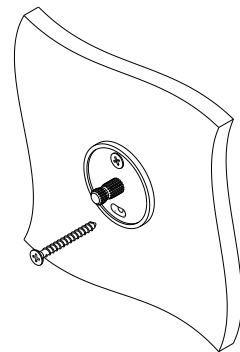
Loosen setscrew to remove wall mount

2



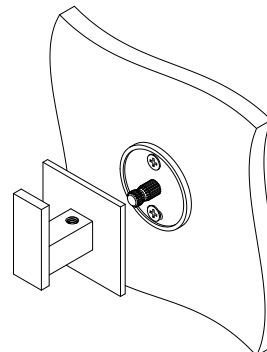
Using wall mount mark location of holes. Drill holes and insert folded anchors

3



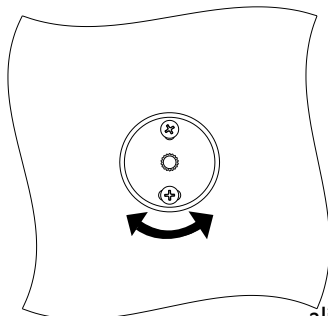
Secure wall mount with screws

4



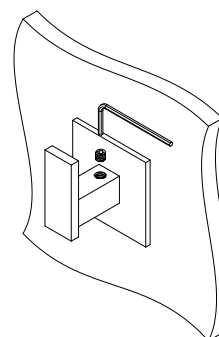
Place robe hook onto leveled wall mount

5



If accessory not properly aligned, loosen bottom screw and rotate wall mount

6



**NOTE:** Base does not sit against wall

Secure robe hook to wall mount with setscrew